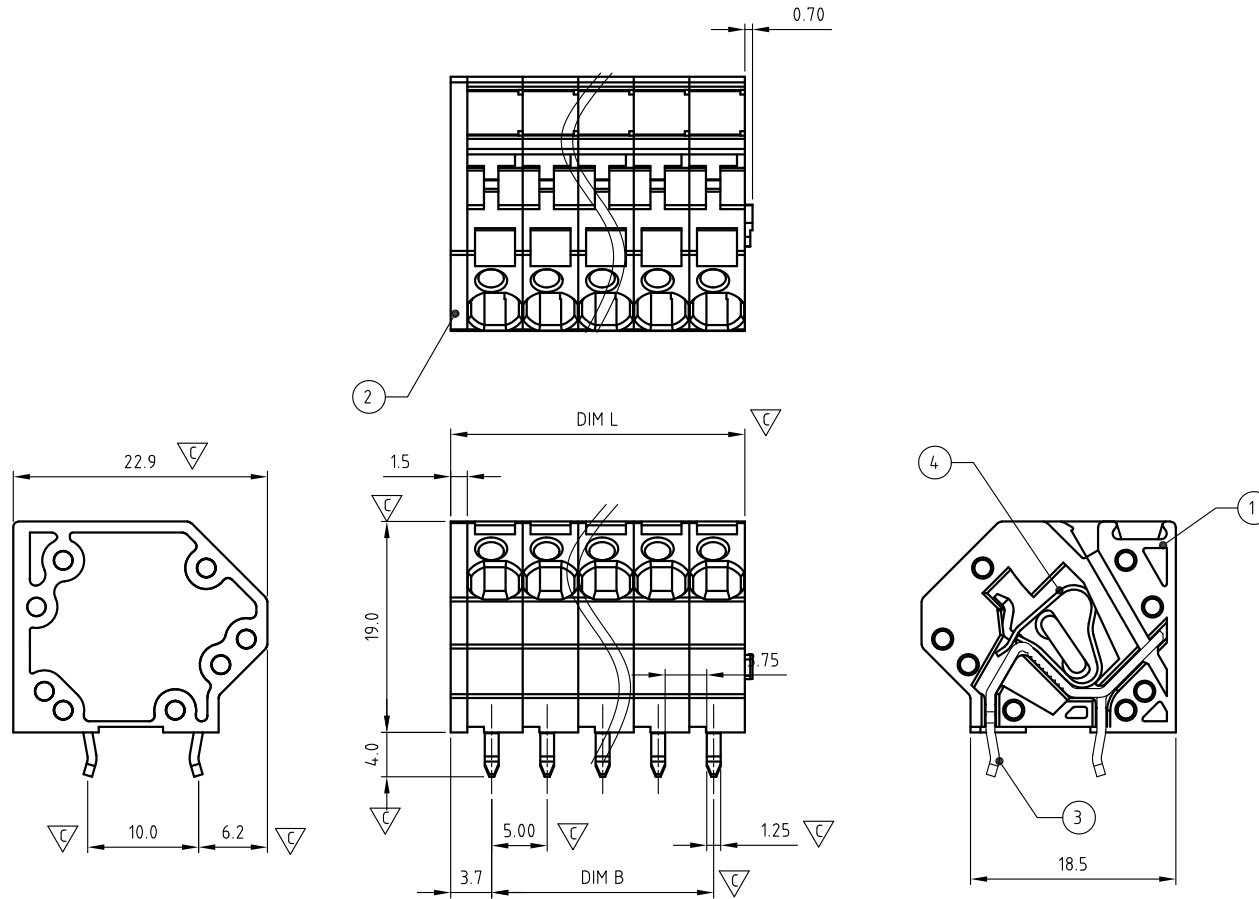


Transfer or duplication of this document as well as the utilisation or communication of its content are not permitted unless express consent is granted. Violations give rise to claims for damages. All rights reserved in case of patent, utility model or design patent registrations.



Technical data

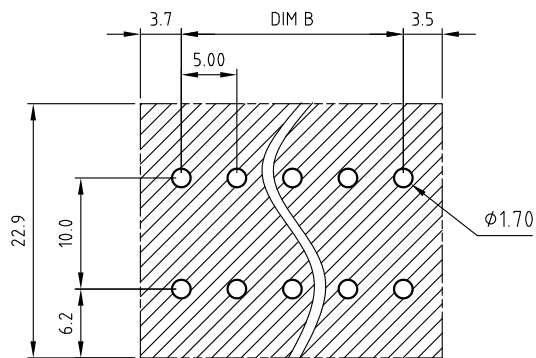
- 1.Nominal voltage: 300V/20A (TUV 320V/32A III/2)
PITCH:5.0mm
- 2.Connection capacity:
AWG 28-12 / rigid sol 0.08-4mm² / rigid str 0.08-2.5mm²
- 3.Insulation Withstanding Voltage:
AC 1600V/MIN / AC 2500V/MIN
- 4.Insulation Resistance:
1000MΩ or more at DC500V
- 5.Stripping length: 8-9mm
- 6.Using temperature range:-40C°-105C°
Soldering temperature:250±10C°/5s
- 7.Undimensioned Tolerances:

Dim.L=Px5.0+1.5		
Dim.B=(P-1)x5.0		
P= number of poles(1-24P)		
	Dim B	Dim L
0-30mm	±0.15	±0.20
over 30mm-60mm	±0.20	±0.25
over 60mm-90mm	±0.25	±0.30
over 90mm	±0.30	±0.40

- 8.Safety approval:
- 9.RoHS Compliance
- 10.Critical dimension:

SFAM500 xx x 00x
① ② ③

- ① Poles 01-24
- ② Color
0 Black 3 Orange 5 Green 6 Blue 8 Dark gray....
- ③ Custom
000 "K" logo 00K KUNACON logo



PCB LAYOUT

5										
4	WIRE GUARD	Stainless steel		t=0.4mm					P	
3	CONTACT	COPPER		t=0.80mm, Tin PLATED					P	
2	END COVER	PA66 UL94V-0							1	
1	BODY	PA66 UL94V-0							P	
ITEM	NAME OF PART	MATERIAL	NOTES				Q'TY			
DWG.	WF. Zhang	DATE	2021.03.05	UNITS:	MM	SHEET:	1 OF 1	Tolerance		
CHK.	WF. Zhang	DATE	2021.12.28	SCALE:	NONE 2:1 (:)	REV:	A	X.	±0.50	
APP.		DATE		TITLE:	SF-AM500-45D Series terminal block				X.X	±0.30
				PART NO.	SFAM500xxx00x				X.XX	±0.10
				DWG NO.	SF-AM500-B001				X°	±1°

REV	SIGN	DESCRIPTION	CHK.	DATE



KUNA Contact Technology Co, Ltd
http://www.kunacon.com